

## 1" NPT / BSP Connector



**Details** • Used in external vertical mounting in 1" NPT or BSP thread.

**Typical applications** • Mounting inside the tank with [Vertical Level Switches<sup>1</sup> ICOS](#).

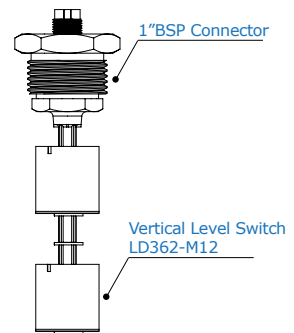
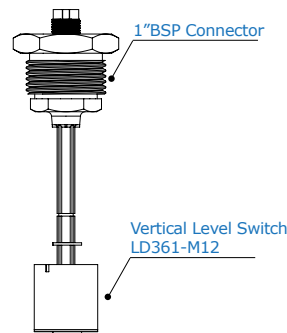
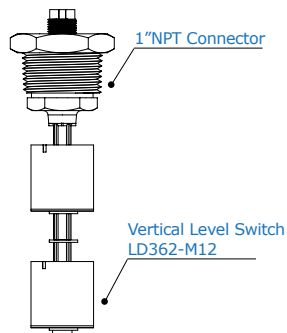
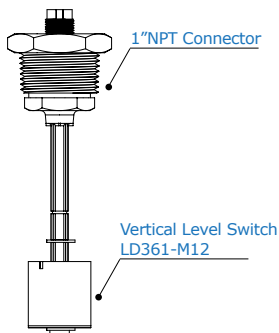
### 1" NPT Connector

Material **Anodized aluminum**  
Thread **1" NPT (conical)**  
Sealing **Sealant tape**  
Enclosure rating **IP66**  
Weight **43g**

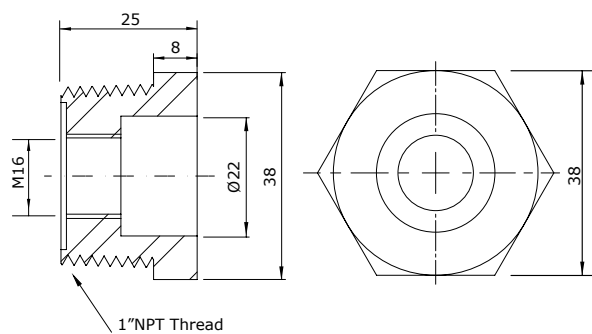
### 1" BSP Connector

Material **Brass**  
Thread **1" BSP (parallel)**  
Sealing **O'Ring (NBR) - Included**  
Enclosure rating **IP66**  
Weight **132g**

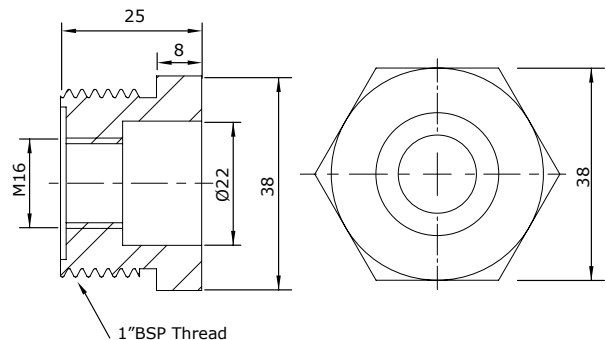
### Mounting



### Dimensions (mm)



### Dimensions (mm)



### Notes

<sup>1</sup> 1" NPT / BSP Connectors are applicable to:  
[Vertical Level Switches ICOS](#)

1" BSP connector | 1" NPT connector | level switch connection | parallel thread | taper thread

👉 On [accessories.icos.com.br](http://accessories.icos.com.br) check prices of 1" NPT / BSP Connectors

Flow and Level Switches for liquids