

M12 Female Connector with 4 Contacts



Details • Practical connection to the M12 plugs.

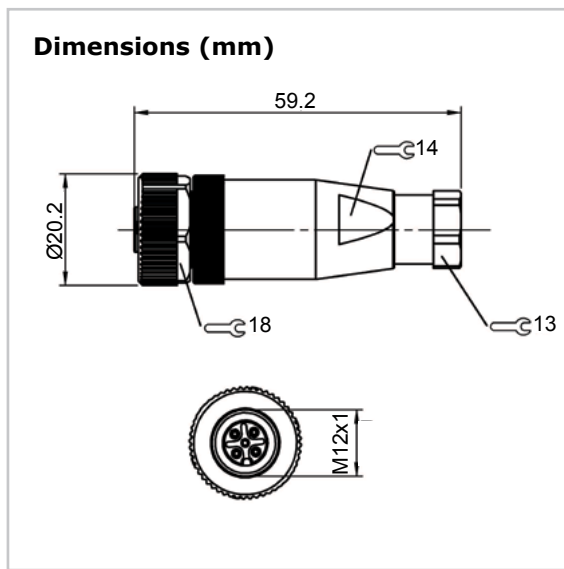
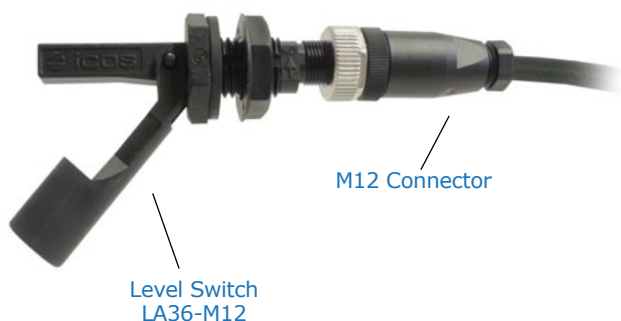
Typical applications • ICOS Sensors¹ and M12 male plugs of 4 contacts.

Technical specifications

Material	PA
Connectors	04 contacts (female)
Mounting	Straight
Cable diameter*	4-6mm
Voltage	250V
Operating temperature range	-25°C to 85°C
Enclosure rating	IP67
Weight	25g

*Cable not included.

Mounting



» For output connection with M12 plug (2 to 4 pins)

Important! Installing the Sensor in:

- For cables longer than 10 meters.
- PLC, timing relay, frequency inverter.

A series **resistor** must be installed.

Click and check how to install.

Notes

- ¹ **M12 Connector is applicable to:**
- ICOS Level Switches with M12 Plug.

female m12 4 poles connector | male m12 4 poles connector | m12 connector cable 2m | m12 connector cable 5m | m12 connection | m12 plug

On accessories.icos.com.br check prices of M12 Connectors

Flow and Level Switches for liquids